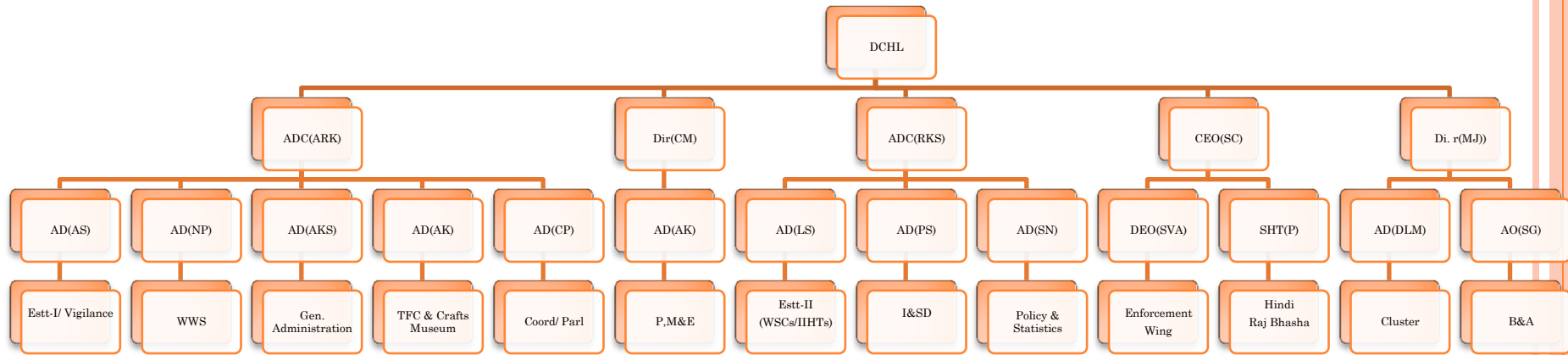


# Organisation Chart of office of the Development Commissioner for Handlooms



DCHL- Development Commissioner for Handlooms (Sh. Shantmanu)

ADC- Additional Development Commissioner for Handlooms

ARK- Shri Anil Raj Kumar

RKS- Shri R K Sahu

CEO- Chief Enforcement Officer (Shri Suresh Chandra)

Dir (CM)- Director (Shri C Muthusamy)

Dir. (MJ)- Director (Shri Manoj Jain)

Consultant (BBP)- Consultant (Shri B B Paul)

WWS- Weavers Welfare Scheme

I&SD- Infrastructure & Skill Development

AO (SG)- Accounts Officer (Ms Saroj Gupta)

AD- Assistant Director

DLM- Shri Devi Lal Meena, SN- Shri Surender Negi, NPS- Shri Narottam Prasad, LS- Shri Lakhan Singh, AS- Ms. Anita

Sawhney, CP- Shri Chander Prakash, AKS- Shri A K Sharma, PS- Shri Purushotam Singh, AK- Shri Alok Kumar, SHT- Senior

Hindi Translator (Shri Parmanand)

DEO(SVA)- Deputy Enforcement Officer (Shri S V Arumugham)

